



Self-priming centrifugal pumps for domestic applications such as domestic systems where air is mixed with water. Recommended in combination with pressure set for water transfer, rainwater harvesting and garden irrigation systems.

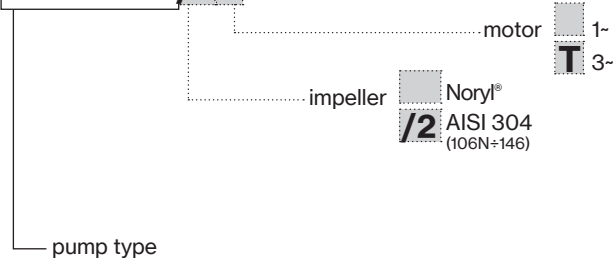
Construction features

Pump body	stainless steel AISI 304
Motor bracket	aluminum
Impeller	Noryl®; steel AISI 304 (106N, 126, 146)
Mechanical seal	ceramic-graphite-NBR
Motor shaft	stainless steel AISI 416
Liquid temperature	0 - 50 °C
Operating pressure	max 8 bar

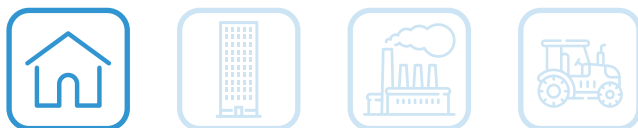
Motor

	3~ 230/400V-50Hz
2 Poles induction motor	1~ 230V-50Hz (with thermal protection)
Insulation class	F
Protection degree	IPX4

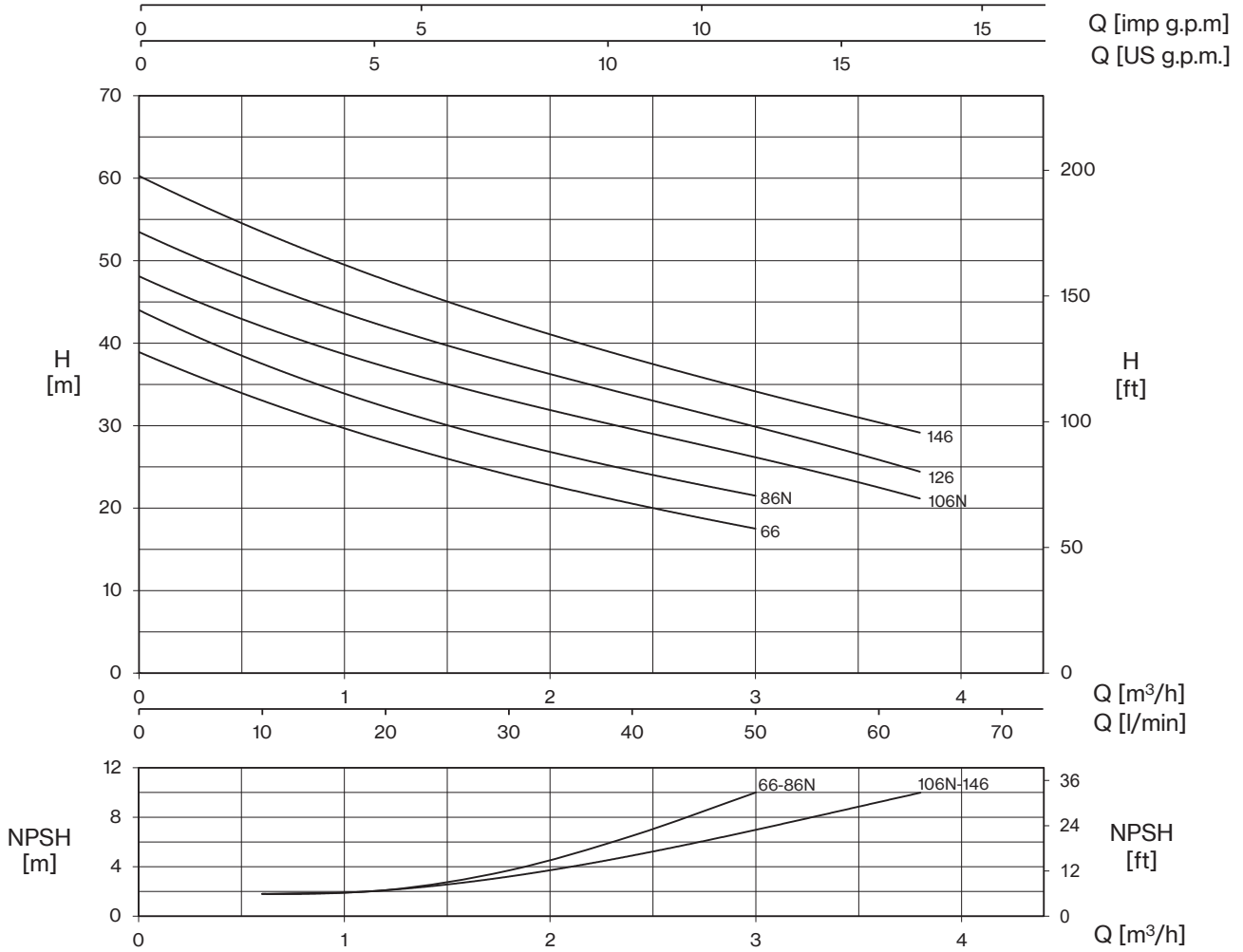
JXF 106N/2T



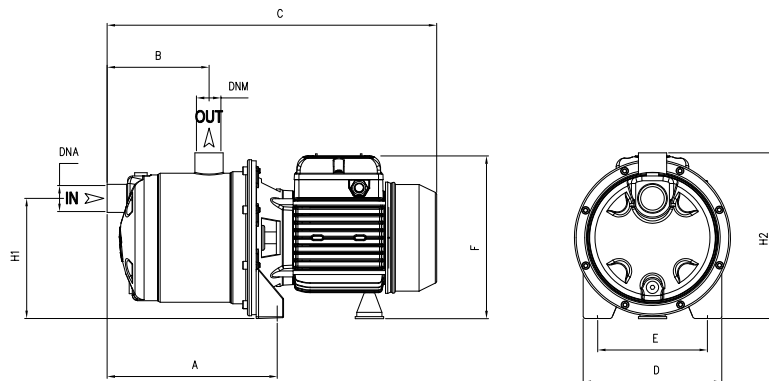
TYPE	LOTS			
	TRUCK		CONTAINER	
	PALLET (cm)	N° pumps	PALLET (cm)	N° pumps
JXF 66-146	85×110×150	60	85×110×190	80



JXF



TYPE		P2		P1 (kW)		AMPERE		Q (m³/h - l/min)							
1~	3~	HP	kW	1~	3~	1~ 1x230 V 50 Hz	3~ 3x400 V 50 Hz	0	0,6	1,2	1,8	2,4	3	3,6	3,8
								0	10	20	30	40	50	60	63,3
								H (m)							
JXF 66	JXF 66 T	0,6	0,44	0,67	0,63	2,9	1,2	38,9	33,1	28,1	24,0	20,6	17,5		
JXF 86N	JXF 86N T	0,8	0,59	0,75	0,76	3,3	1,4	44,0	37,5	32,3	28,0	24,6	21,5		
JXF 106N	JXF 106N T	1	0,74	1,04	0,92	4,7	1,7	48,0	42,3	37,0	33,0	29,6	26,2	22,7	21,0
JXF 126	JXF 126 T	1,2	0,88	1,14	1,03	5,2	1,9	53,4	47,4	41,9	37,5	33,7	29,9	26,0	24,3
JXF 146	JXF 146 T	1,5	1,1	1,3	1,23	6,0	2,5	60,2	53,6	47,8	42,4	38,0	34,4	30,5	29,0



TYPE	DIMENSIONS (mm)													Kg
	A	B	C	D	E	F	H1	H2	DNA	DNM	I	L	M	
JXF 66	208	128	410	175	140	215	153	210	1" G	1" G	430	210	235	8,5
JXF 86N	208	128	410	175	140	215	153	210			430	210	235	9,5
JXF 106N	208	128	410	175	140	215	153	210			430	210	235	10,5
JXF 126	208	128	410	175	140	215	153	210			430	210	235	11
JXF 146	208	128	410	175	140	215	153	210			430	210	235	11,5

JXF (Garden version)

Portable electropumps complete with handle, cable with plug and switch.
The performances depend on adopted pump type.

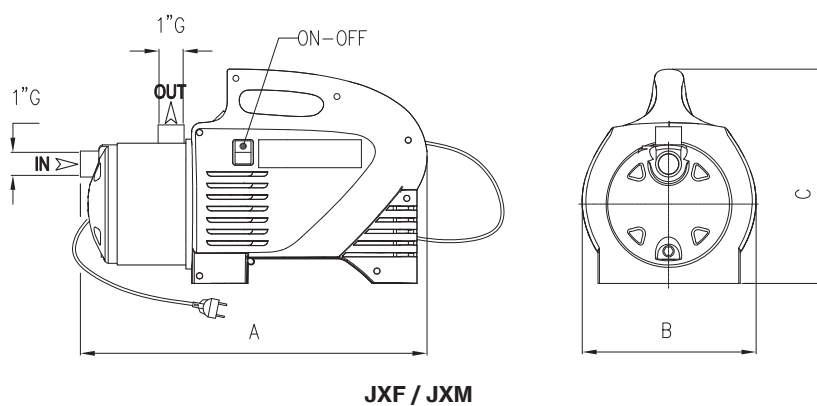
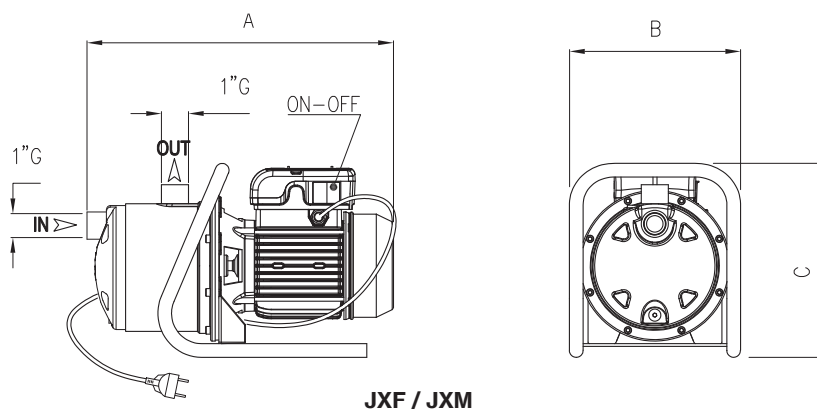


JXF



JXF BOX

TYPE	P2		P1 (kW)	Pipe		Performance	
	HP	kW		Suction ("G)	Delivery ("G)	Q (l/min)	H (m)
JXF 106N	1	0,74	1,04	1	1	10-63,3	42,3-21,0



TYPE	DIMENSIONS (mm)		
	A	B	C
JXF 106N	410	175	285
JXF 106N BOX	429	209	287